

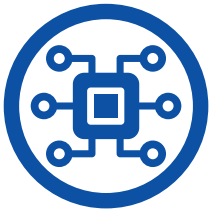
BG SERIES MODULAR BATCH PLANT



BG SERIES Modular Batch Plant

Originating from years of experience in the asphalt mixing field, the Astec BG Series of modular batch plants promises sound performance paired with exceptional technology. The modular design of this compact plant assures setup ease and accommodates upgrades as your operation grows. The BG Series offers production rates from 80 to 240 tonnes per hour.

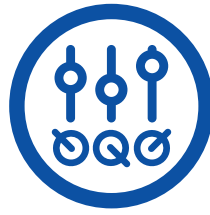




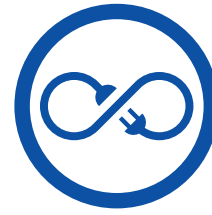
MODULAR
DESIGN



EASY
SET UP



MIX
QUALITY

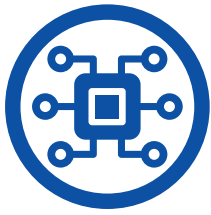


EFFICIENT



RECYCLE
OPTIONS





MODULARITY

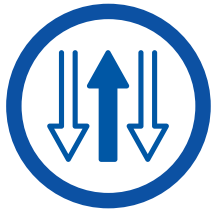
The modularity of the BG series of batch plants delivers speed in erection and re-location. The simplified design allows plant setup in a compact area.

A modular design enables fast setup without dealing with ducts or a large number of interfaces.



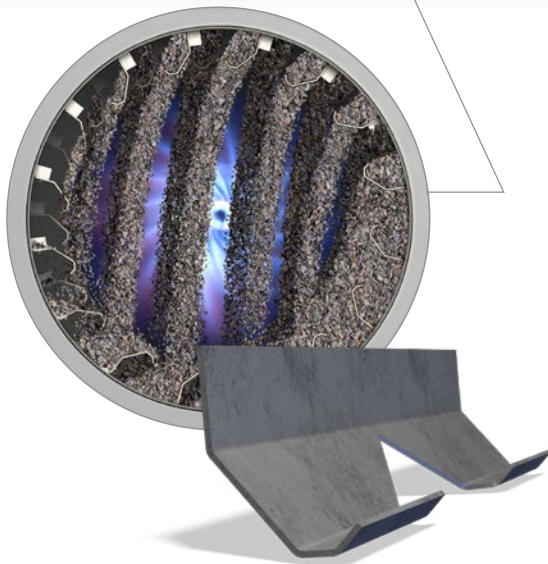
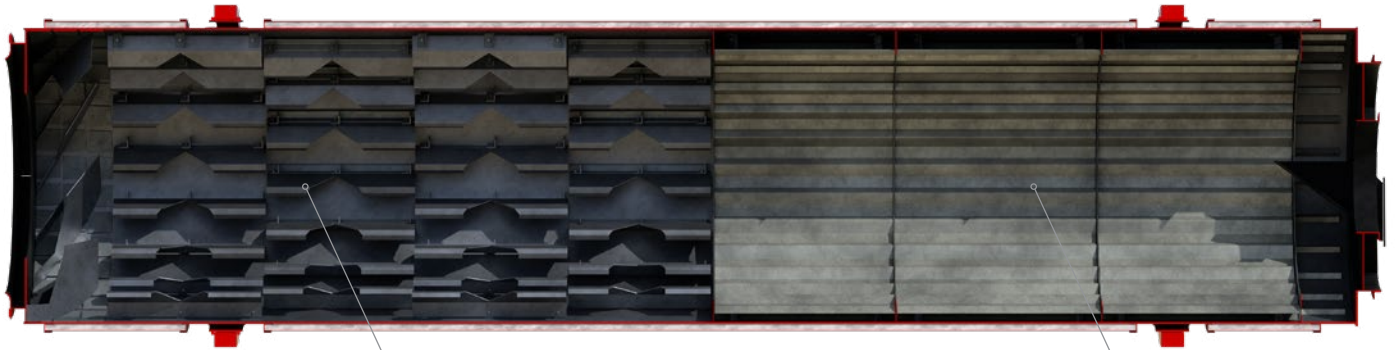
**COMPACT
AND EASY
TO SET-UP**





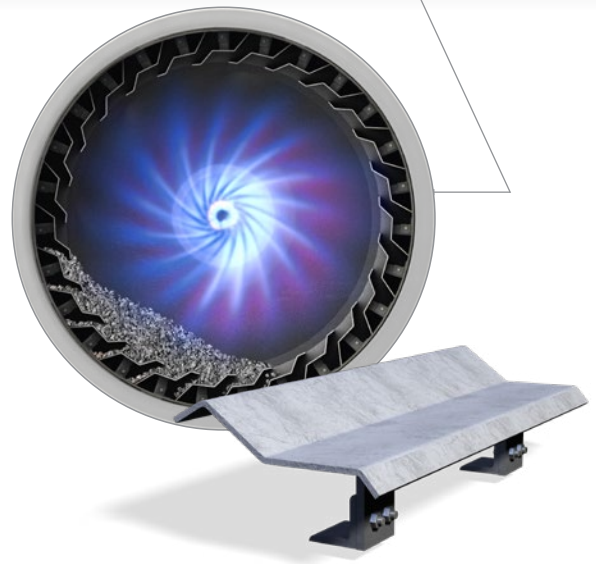
COUNTERFLOW DRYER DRUM

The powerful, well-balanced, high-efficiency drum is insulated and features Astec v-flights to enhance heat transfer into the aggregate. A single chassis supports the drying drum. The four-wheeled dryer drum drive is friction driven.



V-Flights

Provide greater uniformity of the aggregate veil through the gas stream during the drying process, across a wide variety of mix designs and tonnage rates.



Combustion Flights

Prevent aggregate from impinging on the flame while spreading the material to maximize radiant heat transfer.

MODULAR BATCH PLANT

BG SERIES

Cold Feed

Astec cold feed bins are designed with steep walls and a self-relieving bottom to encourage smooth material flow. Variable speed drives and no-flow sensors ensure easy operation. Optional grizzly bars are also available.



Hot Elevator

The hot elevator feeds the dried aggregate to the screens. Fully-enclosed, dust-proof housing protects the integrity of the dried aggregate. The aggregate is conveyed via steel buckets with reinforced edges. Wear resistant chain ensures a long service life while split sprockets reduce the time and effort required for maintenance.





Vibrating Screen

Driven by two vibrating motors, the multi-deck screening unit properly sorts aggregates into five different hot aggregate bins. A maintenance-free design eliminates the need for lubrication points, while an easy grid exchange system reduces the time and effort to change screens.



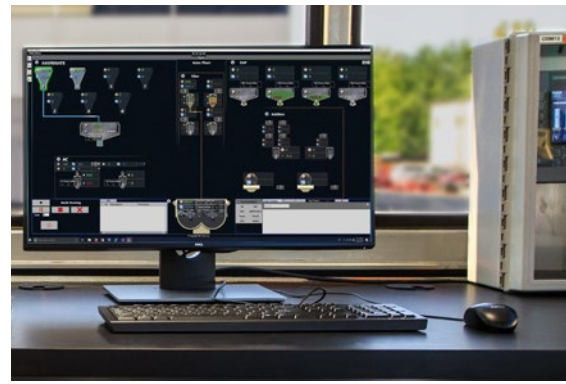
Twin Shaft Pugmill

Mixing takes place in a synchronized double shaft mixer. Purposefully-alloyed cast iron components are highly resistant to abrasion. Specially-designed tips and shanks ensure a homogeneous mix within a short span of time, delivering less oxidized and uniformly coated aggregates. A full-length discharge gate driven by an electro-pneumatic jack allows fast and complete emptying of the mixer.



MODULAR BATCH PLANT

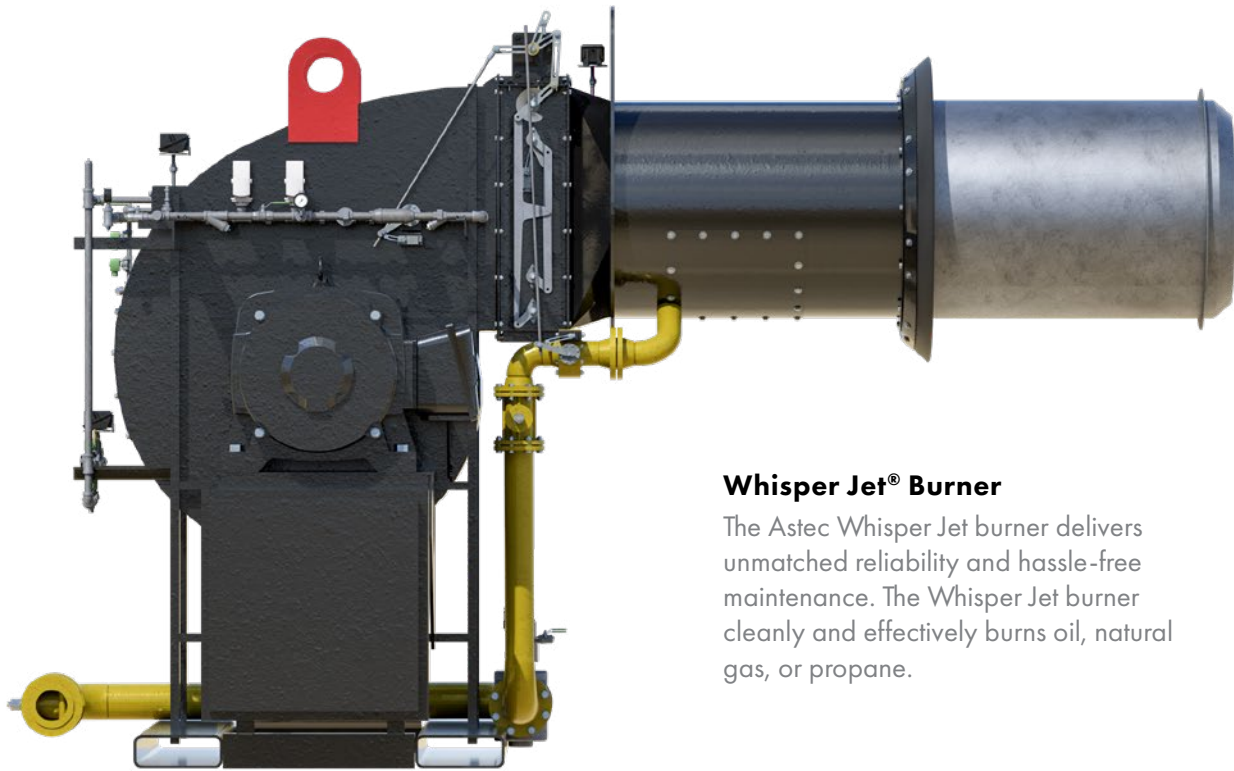
BG SERIES



Batch Control System

The main batch screen displays the entire batch tower with visual feedback for all processes. The controls provide information about ingredients target and actual weights, fill levels, run command/status and material routing animations. Additionally, motor status and run status are indicated. Operators can run the plant from a single screen. Various reports are stored and can be printed on-demand.





Whisper Jet® Burner

The Astec Whisper Jet burner delivers unmatched reliability and hassle-free maintenance. The Whisper Jet burner cleanly and effectively burns oil, natural gas, or propane.

Baghouse

The modular reverse pulse baghouse is fitted directly over the dryer to eliminate ductwork. The baghouse utilizes two-stage filtration with a primary collector which separates coarse material from the gas stream and protects the bags from abrasion. The dust-laden gas then enters the baghouse where the dust collects on the heat-resistant meta aramid bags. Pneumatically operated cylinders clean bags a row at a time. Collected dust can be stored or returned to the mix.

Dust Hopper

A twin stage filtration method traps coarse and fine particulates. Fines are usually stored in the hopper to be weighed in to the plant or rejected. Optionally, separation of coarse and fine particulates is also available upon request.



Premium Aramid Bags

A well engineered filtering area is a must for productivity and performance. Premium meta aramid bags specifically treated for asphalt production coupled with internal support elements built to withstand acid and moisture attack ensure high emission performance and rated productivity.

MODULAR BATCH PLANT

BG SERIES

Recycle System

With the Astec BG Series Modular Batch Plant, Reclaimed Asphalt Pavement (RAP) can be incorporated into mix via the dryer drum or through the mixer unit.

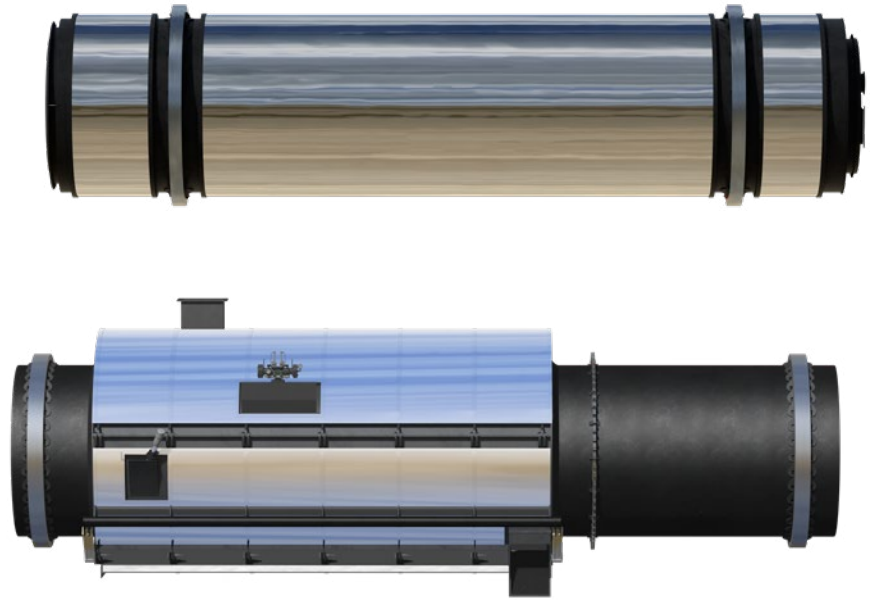
When added via the dryer drum, the RAP is added to the aggregate in the drum through a RAP collar.

When added via the mixer, RAP is fed into a surge hopper on the batching tower.



Options Up To 70%* RAP Processing Available.

A combo solution with a Double Barrel drum can further deliver higher rates of recycling and top notch flexibility.
Details On Request.



*with additional drum options not shown

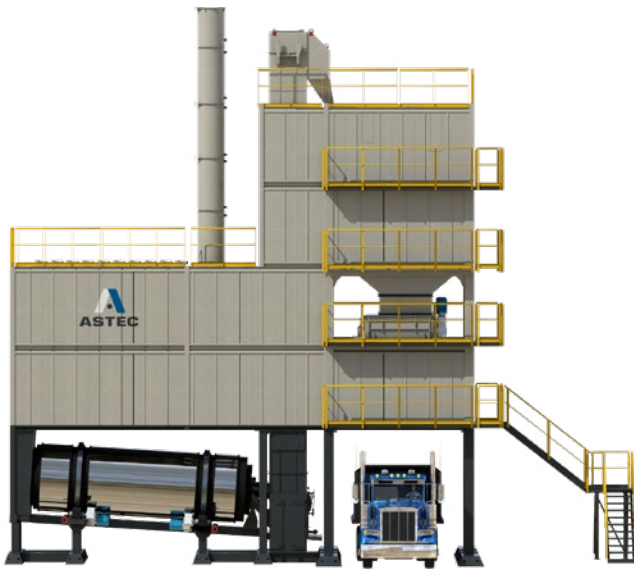


The Astec BG Series offers extensive recycling capabilities

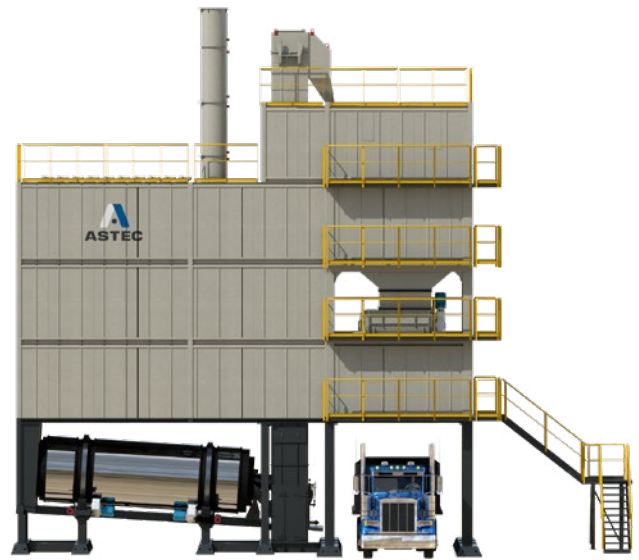


MODULAR STORAGE SILO SOLUTIONS

- Modular under mixer storage silos
- Short term storage solution
- Easily transport in containers
- Multiple bin/multiple plant capacity options



30T SINGLE BIN



TWO 30T DOUBLE BINS



TWO 50T DOUBLE BINS



TWO 100T DOUBLE BINS



Foreign Filler Silo

Add a foreign filler silo to weigh and transport fillers into the mixer via a screw conveyor.



Storage Silos

With the Astec BG Series Modular Batch Plant, storage options can be customized to fit your needs. Short-term storage can be accomplished with 30-200 tonne capacity surge bins located under the mixer unit. Another option is storage bins or silos beside the plant. This solution is ideal for locations with height restrictions.

Astec's patented long term storage silos are also available upon request.

BG SERIES

RANGE DETAILS



MODEL	VARIANTS	STANDARD	CLASSIC	PREMIUM
Type Installation	Modular & Easily Transportable Batch Type Asphalt Plant Plant supplied with steel base for erection without major civil works			
BG 1800	Rated Capacity (t/h)	140	140	140
	Batch size (kg)	1800 kgs	1800 kgs	2000 kgs
	Mixing capacity (t/h)	140	140	140
	Dryer drum (dxl)	2m x 8m	2m x 8m*	2m x 8m*
	Hot elevator capacity (t/h)	140	140	140
	Hot aggregate bins	5	5	5
BG 1500	Rated Capacity (t/h)	120	120	120
	Batch size (kg)	1500 kgs	1500 kgs	1500 kgs
	Mixing capacity (t/h)	120	120	120
	Dryer drum (dxl)	2m x 6.5m	2m x 6.5m	2m x 6.5m*
	Hot elevator capacity (t/h)	140	140	140
	Hot aggregate bins	5	5	5

*with additional drum options