

PERFORMANCE DATA

PAVER (TIER 3)

BF 800 C



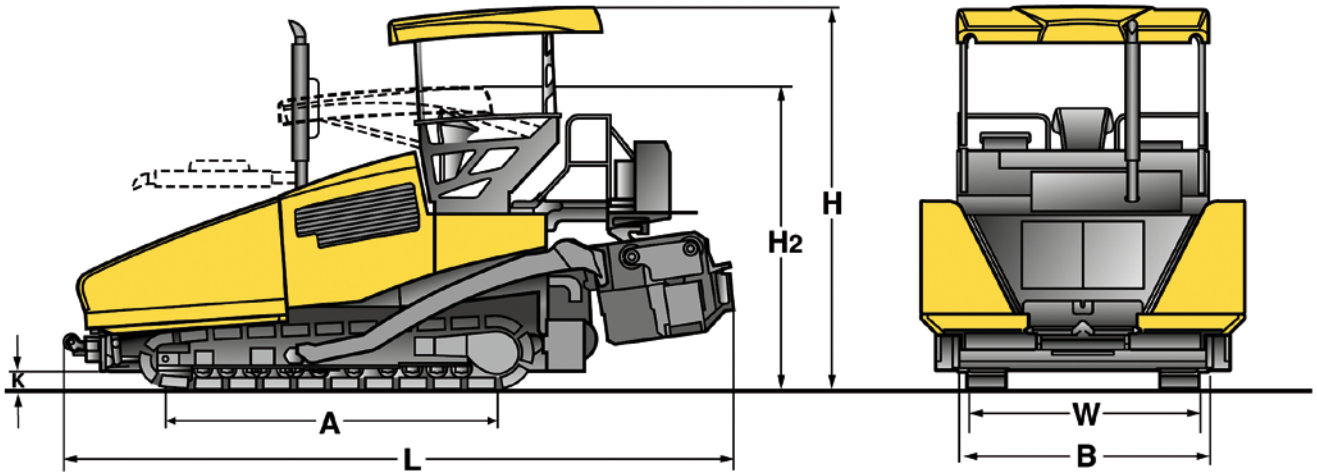
Greatest durability



Shorter set-up times



Exemplary efficiency



Dimensions in mm

	A	B	H	H₂	L	W
BF 800 C S 500	3360	2550	3865	3055	6800	2550
BF 800 C S 600	3360	3000	3865	3055	6800	3000

Shipping dimensions in m³

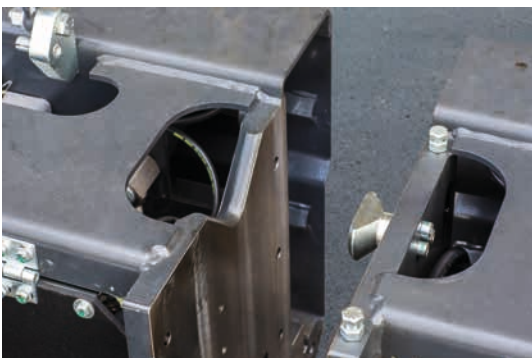
BF 800 C S 500	41,969
BF 800 C S 600	43,423



Save up to 17 % fuel – demand-driven hydraulics – with BOMAG ECOMODE.



Heats up nearly 60 % quicker – unique MAGMALIFE heating system.



Attaching is up to 48 % quicker – thanks to the BOMAG QUICK COUPLING SYSTEM.



The right position in each situation – the comfortable driver's cabin.

Technical Data

BOMAG BF 800 C S 500

Weight CECE

With S 500 screed / with S 600 screed kg 21000 / 21300

Dimensions

Transport length mm 6800
Transport width mm 2550 / 3000
Transport height mm 3055

Travel characteristics

Travel speed (1) km/h 0-4,5
Working speed (1) m/min 0-25

Drive

Engine manufacturer DEUTZ
Type TCD 2012 L06
Exhaust classification..... Stage III a / Tier 3
Cooling Water
Number of cylinders..... 6
Rated power ISO 3046..... kW 135
Speed min⁻¹ 2000

Crawler assembly

Crawler track
-Axle base mm 2700
-Width..... mm 300

Hopper

Capacity m³ 7,2
Width (wings open)..... mm 3320
Width (wings closed)..... mm 2250
Length mm 2010
Filling height (middle) mm 500

Scraper belt / auger

Number 2
Width mm 400
Speed U/min 60
Individual control Standard
Reversing operation Standard

Conveyor auger

->Number 2
->Auger diameter mm 400
->Rotary speed U/min 95
->Reversing operation..... Standard

Screed

Screed type S 500 / S 600
Screed type S 500 / S 600
Basic width retracted mm 2550 / 3000
Basic width extended..... mm 5000 / 6000
Max. working width mm 9000 / 10000
min. width with reduction skids mm 1800 / 2300
Mat thickness mm 300
Smoothing plate depth..... mm 400
Smoothing plate thickness..... mm 15
Heating Elektric
Crown % -2,5 ... +4,5
Tamper frequency..... Hz 0-29
Vibration frequency Hz 20-58
Basic weight kg 3900 / 4200

Filling capacities

Fuel l 315
Hydraulic oil..... l 160

Standard equipment

- SIDEVIEW
- Driver's seat: with swivel and side-shift
- Protection; dashboard
- Hydraulic hinged roof
- Digital display for machine management
- Separate control of hopper wings
- Cleaning kit
- Hydraulic, height adjustable auger
- Track scraper
- L.C.S. Screed relief and traction increase system
- Screed temperature control
- Cast heating elements
- Automatic screed heating
- Hydraulic screed control
- Crown adjustment
- 6 work lights
- Side control of auger/scraper belts
- Tools
- Rubber track plates
- 30 kVA generator
- Socket 2 x 240 volt
- 2 proportionally controlled and reversible wear-resistant cast augers; screw blades separately replaceable
- 2 independent and reversible scraper belts; high- wear resistant plates

Optional equipment

- Hydraulic hopper front flap
- Hydraulic/electric movable platform
- Hydraulic crown adjustment
- Hinged side plates
- Heated side plates
- Side windscreened platform
- Seat warmer
- Asphalt steam extraction
- Biologically degradable hydraulic oil
- Central lubrication system
- L.C.S. half-sided
- Optional paint finish
- S 500 + S 600 extensions:
 - 250 mm
 - 500 mm
 - 750 mm
 - 1250 mm
- Reduction shoe
- Edge shaper 45°/60°
- Light balloon
- Socket 2 x 240 volt
- Levelling systems: Height and cross-slope sensing by means of ultrasonic or mechanical sensors

