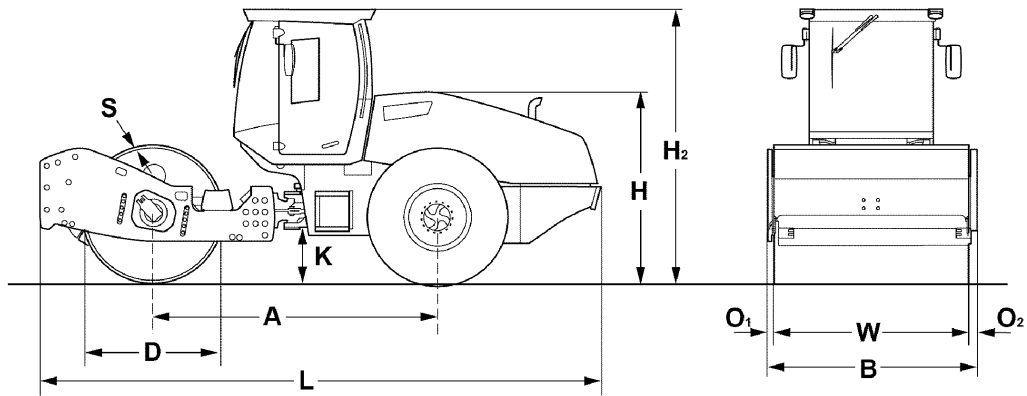


TECHNICAL DATA

SINGLE DRUM ROLLER

BW 218 D-5 SL





Dimensions in mm

	A	B	D	H	H2	K	L	O1	O2	S	W
BW 218 D-5 SL	3113	2300	1500	2240	3053	530	6215	85	85	35	2130

Shipping dimensions in m3

BW 218 D-5 SL

without ROPS

32,020

with ROPS

43,641

Machine type	Compaction output (m3/h)			
	Rock fill	Gravel, sand	Mixed soil	Silt, clay
BW 218 D-5 SL	800-1800	550-1100	420-840	260-520

Machine type	Compacted layer thickness (m)			
	Rock fill	Gravel, sand	Mixed soil	Silt, clay
BW 218 D-5 SL	1,30	0,90	0,65	0,30

Technical Data

BOMAG BW 218 D-5 SL

Weights

Grossweight	kg	17.510
Operating weight	kg	16.850
Operating weight CECE w. ROPS-cabin	kg	17.360
Axle load, drum CECE	kg	12.090
Axle load, wheels CECE	kg	5.270
Static linear load CECE	kg/cm	56,8

Dimensions

Working width	mm	2.130
Track radius, inner	mm	3.874

Driving Characteristics

Speed (1)	km/h	0- 3,5
Speed (2)	km/h	0- 4,5
Speed (3)	km/h	0- 5,5
Speed (4)	km/h	0- 11,0
Max. gradeability without/with vibr.	%	45/43

Drive

Engine manufacturer		Deutz
Type		TCD 2013 L04
Emission stage		Stage IIIa / TIER3
Cooling		water
Number of cylinders		4
Performance ISO 3046	kW	119,0
Performance SAE J 1995	hp	162,0
Speed	min-1	2.200
Fuel		Diesel
Electric equipment	V	12
Drive system		hydrost.
Drum driven		standard

Drums and Tyres

Tyre size		23.1-26 12PR
-----------------	--	--------------

Brakes

Service brake		hydrost.
Parking brake		hydromec.

Steering

Steering system		oscil.artic.
Steering method		hydrost.
Steering / oscillating angle +/-	grad	35/12

Exciter system

Drive system		hydrost.
Frequency	Hz	30/36
Amplitude	mm	1,90/0,96
Centrifugal force	kN	275/202
Centrifugal force	t	28,1/20,6

Capacities

Fuel	l	250,0
------------	---	-------

Technical modifications reserved. Machines may be shown with options.

Standard Equipment

- Self locking differential
- Rear axle with twin spring accumulator brakes
- Hydrostatic travel and vibration drive
- Hydrostatic articulated steering
- Articulated joint lock
- Battery disconnect switch
- Single lever control for travel and vibration
- Warning, information and operation displays with LCD
- Emergency STOP
- Back-up alarm
- 1 Scrapers
- Operator seat
- Warning horn

Optional Equipment

- ROPS/FOPS cabin with seat belts
- ROPS/FOPS with safety belt
- Air condition
- Rotary beacon
- Indicator and hazard lights
- ECONOMIZER
- TERRAMETER
- BOMAG TELEMATIC POWER
- Padfoot segment kit (D)
- Measuring- and machine data interface for third-party suppliers
- Comfort driver's seat
- Contact scrapers (2x)
- Sun roof
- BOMAP
- Tablet holder set
- BOMAP GPS antenna set
- BOMAP GPS antenna holder
- JOBLINK measuring technology interface

