

DISD

Wheel Loaders

SD300E / SD300 / SD200



DISD

No. 1088, Xincheng Street. Muping Economic Developing Zone
Yantai Shandong 264100 China
Tel : +86-535-638-2000 Fax : +86-535-638-2004

Exceeding Expectations while Bearing High-load

SD300E / SD300 / SD200 has set out to perfectly integrate world class technologies with a new low-speed engine creating a higher level of efficiency to save fuel while maintaining a level of power that will more than your expectations.



Features of DISD wheel loader

- Stronger breakout force and tractive force, reflecting excellent performance in a high-load working environment.
- Ideal operating speed and 40°steering angle, sharply improving work efficiency.
- Low-speed engine, saving more fuel for the device.
- Reasonable matched top-end technology, ensuring a more reliable, durable and efficient device.
- Noise reduction technology in line with international standards, providing operator with physical and mental protection, while bolstering work efficiency.
- Industry leading cooling system, offering a guarantee for continuous and uninterrupted work under high temperatures.
- Streamlined appearance and wide operating room, representing an international brand style.

SD300E

- Doosan DE08TIS engine is mounted. Excellent performance and good quality.
- Smoother gear shift with ZF 4 shift transmission. Very well proven and best quality transmission.
- SD300E has an optional tropical high quality 1 layer aluminum radiator.

High Efficiency & Super Operating Performances

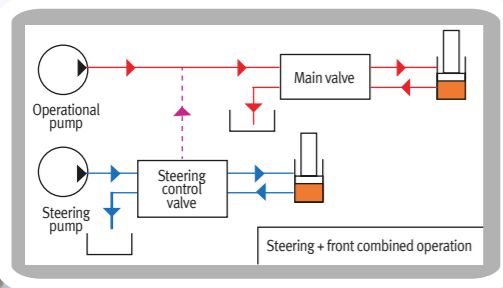
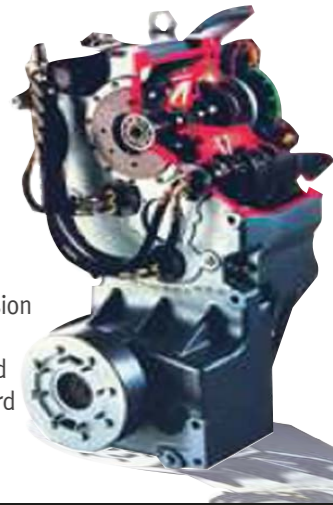
Fast Operating Speed

Significantly improved work progress, reduced work time, and reached excellent perfectly balanced for optimal work efficiency.



ZF transmission (optional)

Full automatic transmission for streamlined speed change with four forward gears and three backward gears. (SD300E)



Combined Loop

Reducing oil consumption and improving cooling performance. (SD300E, SD300)



Excellent Performance for The Best Job

SD300E / SD300 / SD200 features powerful performance under poor working conditions with high efficiency and fuel saving operation. Well integrated high quality main components make it possible.

Tippling load

Tippling load of Doosan equipment greater than products from competitors for realizing stable digging work.



Tropical radiator

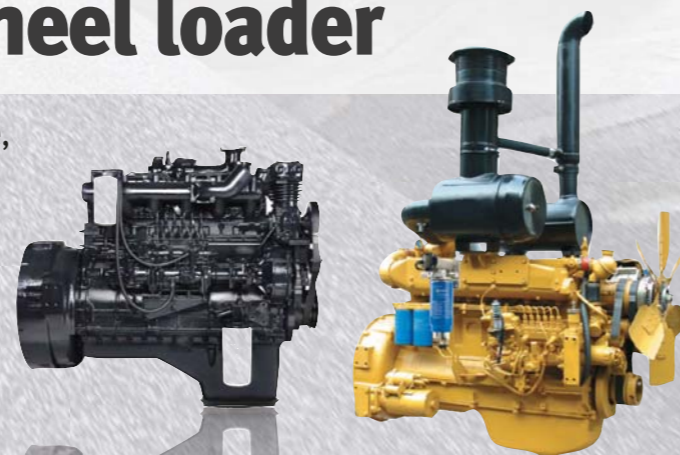
Tropical radiator applied to SD300E for allowing operation in tropical zones such as deserts in the Middle East, and keeping its performance high.



Features of DISD wheel loader

Fuel saving and environment friendly low-speed engine, satisfying Tier-II emission standards.

- * Doosan DEo8TIS engine (SD300E) ▶
- * Weichai engine (SD300, SD200) ▶▶



Strong Breakout Force

Released through the best combination of hydraulic systems, under any working conditions, to create outstanding results.



Traction force

Traction force far more excellent than products from competitors allowing exercise of powerful force during operation.



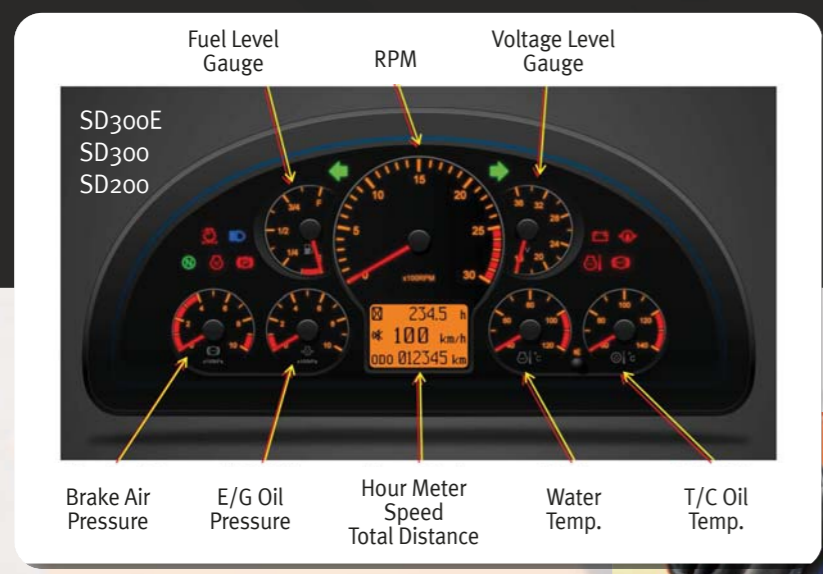


Rearward Visual Field broadened by 20%
 The rear end of the device adopts streamline design which largely broadens the rearward visual field of the operator, improving not only the work efficiency but also safety.

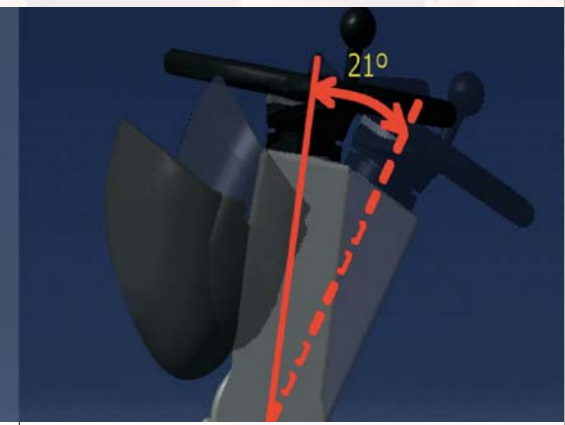
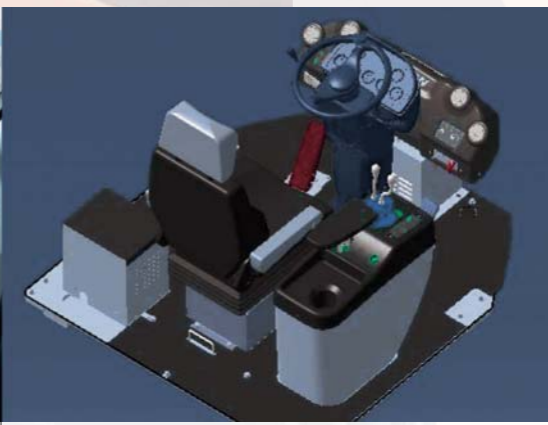
Rear Wiper
 In case of rain, a lot of dust in the work environment, improving rear visibility. (SD300E only)

Sight in order to improve the design part

Cabin with Ergonomic Design



New Operator Panel
 The instrument panel has been changed to improve operator comfort and convenience.



Cabin
 - Enough space.
 - Wide visual field.
 - Noise inside cabin is lower than comparative units.
 - Comfortable operating space.
 - Multi-angle adjustable steering wheel.

Universal Cabin Features
 Human oriented design
 - High grade appearance of international standards.
 - Wide operating space with low noise.

Adjustable Steering Wheel
 Complying with ergonomic principles
 Adjusting angle.
 - Backward: 21°

Air Flow Increased by 30%
 Excellent air-conditioning system and air circulation function as well as perfect defrost system provide operator a more comfortable operating environment and more easy controlling methods to benefit from the above functions.

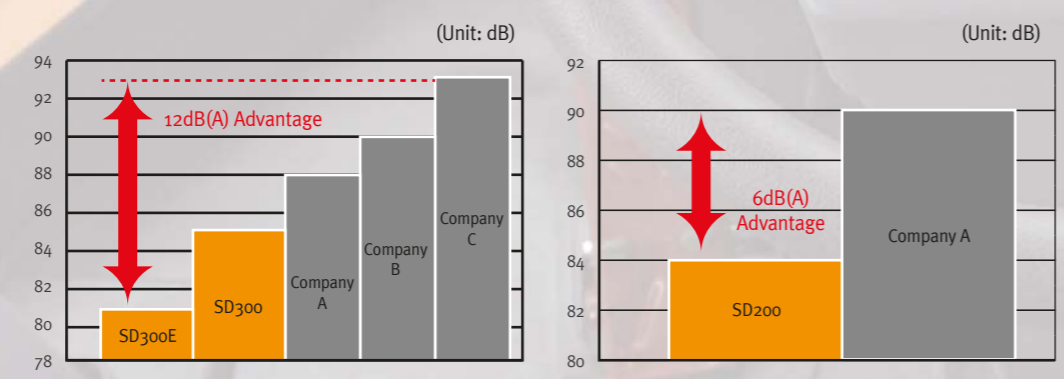


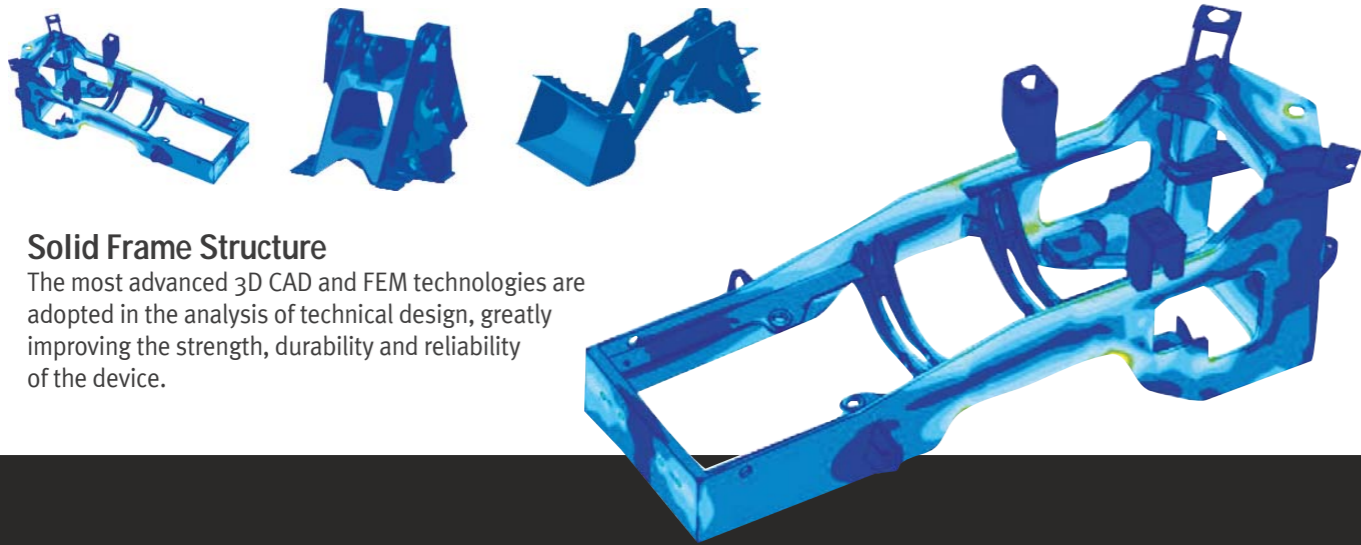
Preheat
 A starter designed for the actuation at low temperature in winter with mighty battery capacity, resolves starting difficulties at low temperature with one key.

Easy Controlled Rocker Switches
 All the switches are arranged in concentrated and combined ways, easy to operate, and complying with ergonomic principles.

High-quality Sound System
 Relieving long time operating fatigue, equipped with USB port which can be connected with MP3 music player or mobile phone charging device.

Lower Noise
 Offering a quiet and comfortable working environment and improving efficiency. (SD300E - Indoor noise levels : 81dB, The noise level of the equipment outside : 112dB)





Solid Frame Structure

The most advanced 3D CAD and FEM technologies are adopted in the analysis of technical design, greatly improving the strength, durability and reliability of the device.

Reliability

The highly reliable components and anti-abrasive material not only improved the durability of the device, but also enhanced its work efficiency and extended its service life.
 (Well proven, high quality Doosan engine DE08TIS / World best quality ZF transmission (optional) / High quality DISD transmission (optional) / Well proven, high quality DISD axle / Reliable 1 layer aluminium radiator / Embedded rear lamp)

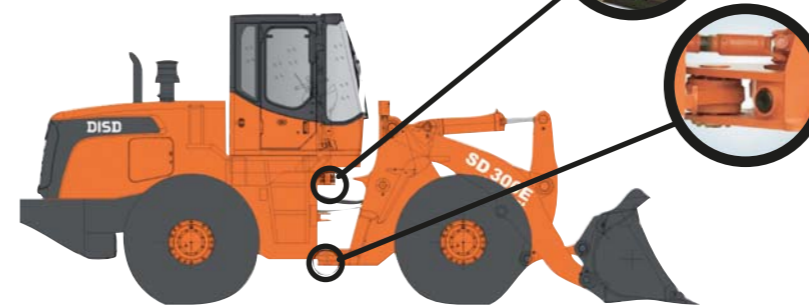
Transmission Shaft : Double Bearing Drive Shaft (SD300E, SD300)

- Double bearing supporting propeller shaft in dual configuration for improving reliability of propeller shaft.
- Lubricating oil can be infused easily, enhancing the durability of the transmission shaft.



Aluminum Radiator

Aluminum radiator is stronger and better in quality than copper radiator. Aluminum radiator enhances reliability of the machines.



Improved Quality & Reliability Doosan engine (SD300E)

- Doosan engine with well proven and stable quality provides high reliability and quality of the wheel loader.
- Doosan in house engine ensures faster and stable engine parts supply and reduces down time.



ZF transmission (SD300E optional)

Transmission from ZF featuring stable quality and reliability for enhancing reliability of power train.

Durability

SD300E / SD300 / SD200's working attachments and articulated pin are matched properly in size so as to position the force bearing area accordingly, increase diameters of the boom pin roll and front and back frame articulated pin roll, as well as enhance durability.

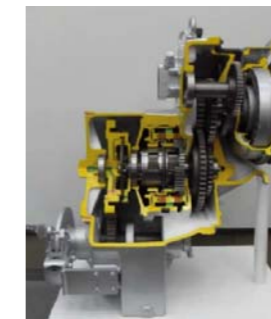
DISD in house axle

Axles developed by DISD proven of high quality and durability. In-house axle allowing rapid and stable part supply. (SD300E)



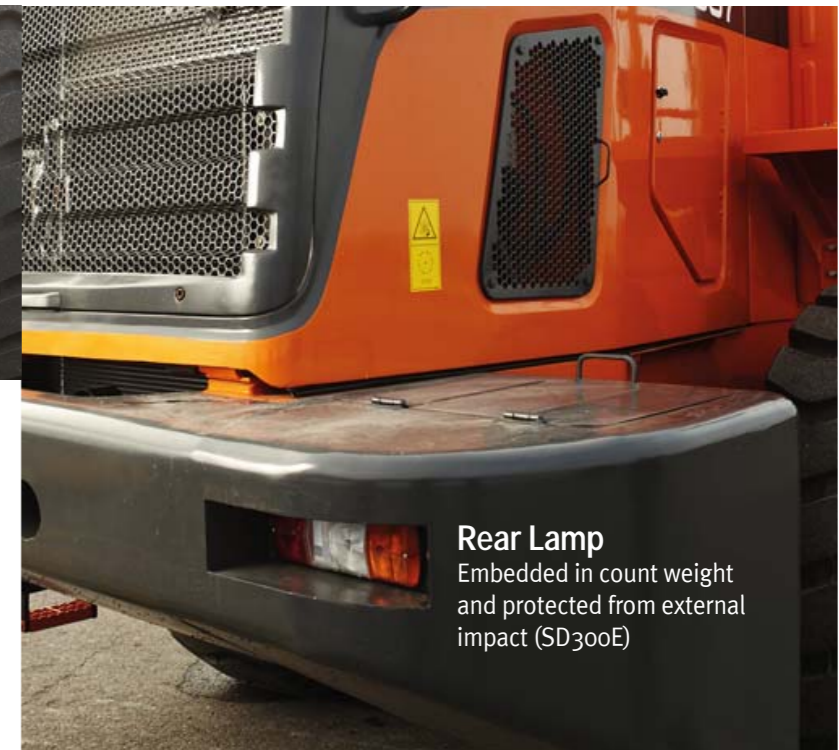
Doosan in house transmission (SD300E, optional)

In-house transmission developed by DISD proven of high quality and durability. In-house transmission allowing rapid and stable part supply.



Rear Lamp

Embedded in count weight and protected from external impact (SD300E)



Air conditioning condenser assembled with radiator (SD300E)

- No electric fan motor for air conditioning condenser.
- Air conditioning condenser is integrated with radiator assembly and has less quality problems caused by electric fan motor.



Convenient Top-end Maintenance Management System

Open-end Hood

The hood can be opened completely not only to refill oil/gas and replace inner parts but also for the daily maintenance of the engine its adjacent devices.

(SD300E, SD300, SD200)



Quickly Changeable Brake Disc

Brake disc can be replaced quickly and easily without disassembling tires, deeply shortening the maintenance time and saving time and labor cost.



High Efficiency Cooling Fan

The cooling fan of non-isometric blades can reduce noise and increase air flow.



Maintenance

The replacement cycle of vulnerable parts are substantially extended. Spacious maintenance space makes the maintenance work done more quickly and conveniently.



Easy and Quick Adjustable Maintenance Window

The 180°side-opened maintenance window provides a quick and direct view for inspection, largely saving daily monitoring and maintenance time.



Full Tilting of Engine Cover

With this one body engine cover, it is easy to repair engine and sub parts.

Inspection for High/Low Hydraulic Oil Level

Used to monitor the hydraulic oil level more easily to reduce maintenance time, improving device service lifetime.



Outdoor Power switch

Used to cut off battery power when necessary to enhance maintenance safety and convenience while protecting the battery and extending battery life when the device is parked for a long time. (SD300E, SD300, SD200)



Technical Specifications

ENGINE SYSTEM

		SD300E	SD300	SD200
ENGINE	MAKER & MODEL	Doosan DE08TIS	Wei chai WD10G220E23	Wei chai WP6G125E22
	RATED HORSE POWER	160 kW/2000 rpm	162 Kw/2000 rpm	92 Kw/2200 rpm
	MAX.TORQUE	902 N.m/1300 rpm	900 N.m/13000~1500 rpm	500 N.m/1400~1500 rpm
	FUEL COMSUMPTION	215 g/kw.h @ RATED SPEED	225 g/kw.h @ RATED SPEED	215 g/kw.h @ RATED SPEED
	TYPE	TURBO, DIRECT INJECTION	TURBO,DIRECT INJECTION	TURBO,DIRECT INJECTION
	DISPLACEMENT	8071 cc	9726 cc	6754 cc
	NO.OF CYLINDER	6	←	←
	BORE & STROKE	111 X 139 (mm)	126 X 130 (mm)	105 X 130 (mm)
	HIGH IDLE SPEED	2200±50 rpm	2150~2200 rpm	2376~2464 rpm
	LOW IDLE SPEED	800±25 rpm	750±20 rpm	750±50 rpm
STARTING MOTOR	24V X 6 kw	24V X 7.5 kw	24V X 6 kw	
ALTERNATOR	VOLTAGE	28 V	←	←
	RATING AMPERES	60 A	55 A	55 A
BATTERY	SYSTEM VOLTAGE	24 V	←	←
	QUANTITY	12 V x 2	←	←
	CAPACITY (AMP)	120 AH	120 AH	100 AH
AIR CLEANER	TYPE	DRY, DOUBLE ELEMENT	DRY, DOUBLE ELEMENT	DRY, DOUBLE ELEMENT
	FILTRATION AREA	9.5 m2 (MAIN), 1.7 m2 (STEER)	6.5 m2 (MAIN), 1.5 m2 (STEER)	5.4 m2 (MAIN), 0.93 m2 (STEER)
	SIZE (DIA. X LENGTH)	Φ 276 mm X 500 mm	Φ259.5 mm X 400 mm	Φ215 mm X 395 mm
MUFFLER	DESCRIPTION	SIDE INLET, VERTICAL TAIL PIPE	SIDE INLET, VERTICAL TAIL PIPE	SIDE INLET, VERTICAL TAIL PIPE
	SIZE	φ 280 mm X 780 mm	φ246mm X 485 mm	φ200 mm X 440 mm
FAN	TYPE	INDUCED DRAFT, 8 BLADES, PLASTIC	BLOWING , 7 BLADE, STEEL	BLOWING , 6 BLADE, STEEL
	SIZE	Φ 860 mm	Φ 760 mm	Φ600 mm
	RPM @ MAX ENGINE RPM	1500 rpm	1800 rpm	1800 rpm
RADIATOR	TYPE (HEAT REJECTION AREA)	FLAT PLATE FIN, AIR COOL	FLAT PLATE FIN, AIR COOL	FLAT PLATE FIN, AIR COOL
TRANSMISSION OIL COOLER	TYPE (HEAT REJECTION AREA)	PLATE, AIR COOL	PLATE, AIR COOL	PLATE, AIR COOL
HYDRAULIC OIL COOLER	TYPE (HEAT REJECTION AREA)	PLATE, AIR COOL	PLATE, AIR COOL	PLATE, AIR COOL
AIR COOLER	TYPE (HEAT REJECTION AREA)	PLATE, AIR COOL	←	←

DRIVE MECHANISM

		SD300E	SD300	SD200
TRANSMISSION	TYPE	4 SPEEDS, POWER-SHIFT, COUNTERSHAFT	2 SPEED, POWER-SHIFT, PLANETARY	4 SPEED, POWER-SHIFT, COUNTERSHAFT
	TORQUE CONVERTER STALL RATIO	2.142	3.907	3.25
	TORQUE CONVERTER SIZE	340mm	315mm	315mm
	CHARGING PUMP FLOW	80 l/min at 2000 rpm	100 l/min at 2000 rpm	60 l/min at 2000 rpm
	HYDRAULIC PUMP P.T.O RATIO	1.111/1	0.8667/1.022	1.06
	POWER SHIFT CONTROL PRESSURE	1.1-1.5MPa	1.1-1.4MPa	1.1-1.5MPa
	CONVERTER SAFETY RELIEF PRESSURE	4.9 bar	10.8 bar	4.9 bar
	MAX. ROTATING SPEED	2500 rpm	2350 rpm	2500 rpm
	SHIFT CONTROL	ELECTRONIC TYPE	MECHANICAL TYPE	MECHANICAL TYPE
	OUTPUT FLANGE	FRONT DISC FLANGE REAR DISC FLANGE	FRONT - 9C MECHANICS REAR - 7C MECHANICS	FRONT DISC FLANGE REAR DISC FLANGE
AXLE	TYPE	FULLY FLOATING PLANETARY-TYPE HUB DRIVE FIXED MOUNTING	←	←
	OVERALL REDUCTION RATIO	22.85	22.853	20.26
	AXLE LOAD (SINGLE CONDITION)	9400kg	9200kg	5500 kg
	AXLE LOAD (BREAKOUT CONDITION)	27,000kg	27,000 kg	18,500 kg
	WHEEL BOLT P.C.D	Φ 475 mm	Φ475 mm	Φ404 mm
	BRAKE TYPE	DRY DISC	←	←
BRAKE TORQUE per WHEEL		13050 N.m	13050 N.m	9660 N.m
	DRIVE FLANGE	Front: 9C MECHANICS Rear: 7C MECHANICS	←	DISC MECHANICS
TIRE & WHEEL	TYPE	TUBE Type	←	TUBE Type
	TYPE SPEC.	23.5 -25-16PR	←	17.5 -25-12 PR
	RIM SPEC.	19.5/2.5-25	←	14.0/1.5- 25
	DISC OFFSET	206 mm	←	←
TRAVELLING PERFORMANCE	MAX. SPEED	38.0 KPH	←	←
	MAX. TRACTIVE EFFORT	17 TON	16 TON	9 TON
	GRADEABILITY	30° (58%)	←	←

Technical Specifications

BRAKE SYSTEM

		SD300E	SD300	SD200
BRAKE PUMP	TYPE	PISTION AIR	←	←
	MAX. SUPPLY FLOW	145 l/min	←	-
SERVICE BRAKE VALVE (SINGLE)	BRAKE PRESSURE AIR	7.7 bar	←	←
	BRAKE PRESSURE OIL	137 bar 7.7 bar	←	←
	PEDAL FORCE	30 kg at 137 bar	←	←
PARKING BRAKE	TYPE	SPRING-APPLIED AIR RELEASED SLIDING CALIPER DISC BRAKE	←	←
	MAX. PARKING TORQUE	1594 Nm	1550 Nm	907 Nm
SYSTEM & PRESSURE	SYSTEM	AIR PUSH HYDRAULIC, SINGLE LINE	←	←
	SERVICE BRAKE PRESSURE AIR	7.7 bar	←	←
	SERVICE BRAKE PRESSURE OIL	137 bar	←	←
	PARKING BRAKE RELESE PRESSURE	3.9 bar	←	←
	BRAKE DISTANCE	6.5 m at 38kph	8.7 m at 32kph	6.5 m at 32kph

STEERING SYSTEM

		SD300E	SD300	SD200
PUMP	TYPE	GEAR	←	-
	DISPLACEMENT	81.68 cc/rev	80 cc/rev	-
	CONSTANT FLOW	152 l/min	145 l/min	-
STEERING UNIT	TYPE	Coaxial Flow Amplifying	←	Load Sensing
	DISPLACEMENT	1000 cc/rev	←	630 cc/rev
PRIORITY VALVE	TYPE	CONTAINS A SEQUENTIAL VALVE, PRIORITY VALVE, PRESSURE RELIEF VALVE	←	CONTAINS A SEQUENTIAL VALVE, PRIORITY VALVE
	CONTROL PRESSURE	11 bar	←	7 bar
	LS RELIEF VALVE SETTING	137 bar	←	←
	SEQUENTIAL RELIEF VALVE	137 bar	←	←
	MAX OIL FLOW TO STEERING	160 L/min	←	250 L/min

HYDRAULIC SYSTEM

		SD300E	SD300	SD200
MAIN PUMP	TYPE	FIXED GEAR	FIXED GEAR	FIXED GEAR
	DISPLACEMENT	104.9 cc/rev	100 cc/rev	100 cc/rev
	MAX. FLOW RATE	206 l/min	215 l/min	205 l/min
	TANK PRESSURIZING DEVICE	SEMI PRESSURISED (AIR BREATHER)	←	←
STEERING & PILOT PUMP	TYPE	TANDEM, FIXED GEAR	TANDEM, FIXED GEAR	FIXED GEAR (Only Pilot)
	DISPLACEMENT (STEER/PILOT)	81.68 / 21.14 cc/rev	80 / 10 cc/rev	10 cc/rev
	MAX.FLOW RATE (STEER/PILOT)	152 / 39 l/min	145 / 19 l/min	19 l/min
CONTROL VALVE	TYPE	PILOT CONTROL WITH FLOAT SPOOL	←	←
	NO. OF SPOOLS	2	←	←
	SPOOL ARRANGEMENT	BUCKET - LOADER ARM	←	←
	RELIEF VALVE PRESSURE	167 bar	←	←
	OVERLOAD RELIEF VALVE PRESS	186 bar	←	←
REMOTE CONTROL VALVE	TYPE	PILOT OPERATED MONO LEVER WITH MAGNETIC COILS (DETENT COILS - ARM RAISE /FLOAT, BUCKET CROWD)	←	←
	PRESSURE/STROKE CHARACTER	25 bar @ 14 mm STROKE	←	←
PILOT SUPPLY VALVE	PILOT RELIEF PRESSURE	35 bar	25 bar	25 bar
RESTRICTION VALVE	CRACKING PRESSURE	29 bar	25 bar	29 bar
AIR BREATHER	CRACKING PRESSURE	-4.9/34 KPa	←	←
ACCUMULATOR; BRAKE	CHARGE PRESSURE	7.7 bar	←	←
	VOLUME	34 L	←	←

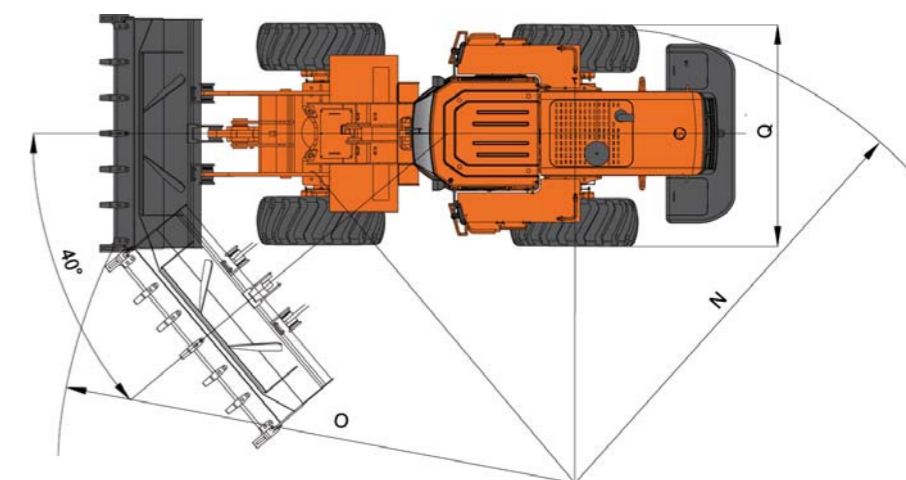
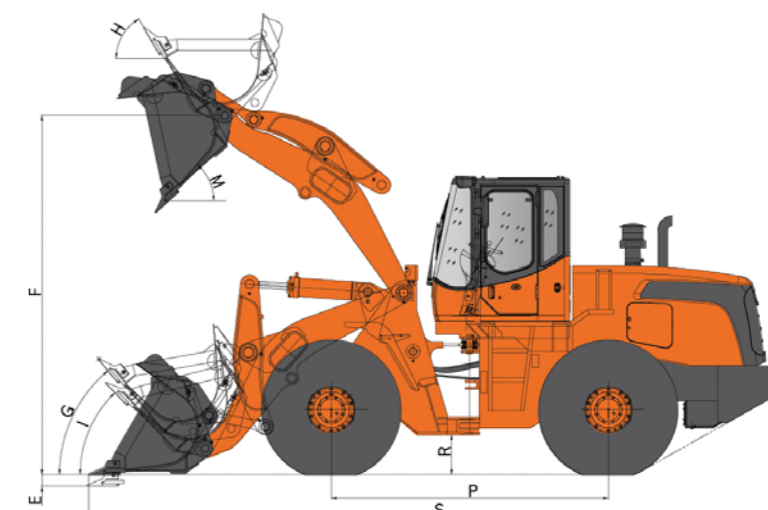
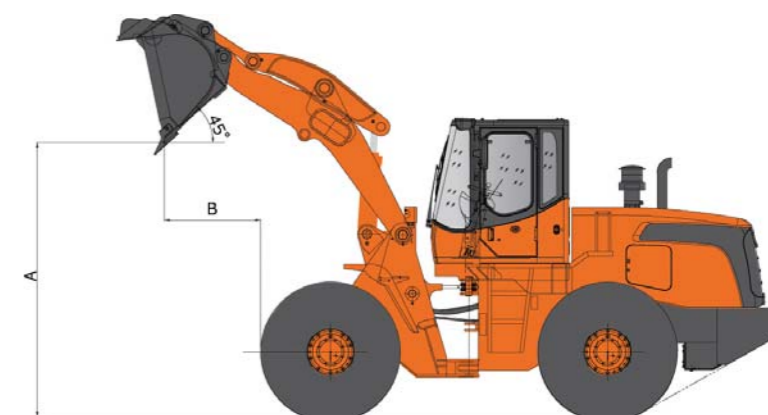
Dimension & Working ranges

Bucket type	Configuration	Code	Unit	General purpose				Light material			Heavy duty		High lift		
				Teeth(Std)			Teeth		SD300E	SD300	SD200	Rock teeth		SD300E	SD300
			SD300E	SD300	SD200	SD300E	SD300	SD300E	SD300	SD200	SD300E	SD300	SD300E	SD300	SD200
Capacity heaped ISO/SAE		m3	3	3	1.7	2.7	2.7	4	4	2.2	2.7	2.7	2.7	2.7	1.7
		yd3	3.9	3.9	2.2	3.5	3.5	5.2	5.2	2.9	3.5	3.5	3.5	3.5	2.2
Operating weight		kg	17,300	16,850	10,400	17,250	16,800	17,500	17,020	10,460	17,600	17,130	17,400	17,100	10,420
		lb	38,140	37,148	22,928	38,030	37,038	38,581	37,523	23,060	38,801	37,765	38,360	37,699	22,972
Bucket width		mm	2,992	2,992	2,506	2,992	2,992	3,092	3,092	2,506	2,960	2,960	2,992	2,992	2,506
		ft in	9'9"	9'9"	8'2"	9'9"	9'9"	10'1"	10'1"	8'2"	9'8"	9'8"	9'9"	9'9"	8'2"
Breakout force		kN	161	161	96	161	161	132	132	92	161	161	150	150	94
		lbf	36,194	36,194	21,582	36,194	36,194	29,675	29,675	20,682	36,194	36,194	33,721	33,721	21,132
Static tipping load (straight)		kg	13,300	11,800	8,000	13,300	11,800	12,618	11,730	7,580	12,513	11,670	12,482	9,670	7,850
		lb	29,322	26,015	17,637	29,322	26,015	27,818	25,860	16,711	27,587	25,728	27,518	21,319	17,306
Static tipping load (at 40°)		kg	11,300	10,400	6,400	11,300	10,400	10,978	10,330	6,064	10,887	10,280	10,860	8,520	6,280
		lb	24,912	22,928	14,110	24,912	22,928	24,203	22,774	13,369	24,001	22,663	23,942	18,783	13,845
Dump height (at 45°) 1) (at fully raised)	A	mm	3,085	3,127	2,800	3,085	3,127	3,012	3,092	2,780	3,097	3,097	3,384	3,320	3,110
		ft in	10'1"	10'3"	9'2"	10'1"	10'3"	9'11"	10'1"	9'1"	10'2"	10'2"	11'12"	10'10"	10'2"
Dump reach (at 45°) 1) (at fully raised)	B	mm	1,297	1,215	1,170	1,297	1,215	1,246	1,237	1,200	1,235	1,235	1,366	1,340	1,065
		ft in	4'3"	3'11"	3'10"	4'3"	3'11"	4'1"	4'	3'11"	4'	4'	4'6"	4'4"	3'6"
Digging depth	E	mm	120	105	50	120	105	90	105	50	105	105	155	155	75
		ft in	5"	4"	2"	5"	4"	3"	4"	2"	4"	4"	6"	6"	3"
Height at bucket pivot point	F	mm	4,150	4,150	3,740	4,150	4,150	4,150	4,150	3,740	4,150	4,150	4,450	4,410	4,030
		ft in	13'7"	13'7"	12'3"	13'7"	13'7"	13'7"	13'7"	12'3"	13'7"	13'7"	14'7"	14'5"	13'2"
Max. tilt angle at carry position	G	Deg	50	50	50	50	50	50	50	50	50	50	51	50	
Max. tilt angle at fully raised	H	Deg	59	60	60	59	60	59	60	60	60	60	59	60	
Max. tilt angle at ground	I	Deg	45	45	45	45	45	45	45	45	45	45	45	45	
Max. dump angle at fully raised	M	Deg	49	48	45	49	48	49	48	45	48	48	49	49	45
External radius at tire side	N	mm	5,800	5,900	5,250	5,800	5,900	5,800	5,900	5,250	5,900	5,900	5,800	5,900	5,250
		ft in	19'	19'4"	17'2"	19'	19'4"	19'	19'4"	17'2"	19'4"	19'4"	19'	19'4"	17'2"
External radius at bucket edge	O	mm	6,510	6,510	5,710	6,510	6,510	6,560	6,560	5,750	6,550	6,550	6,790	6,790	5,870
		ft in	21'4"	21'4"	18'8"	21'4"	21'4"	21'6"	21'6"	18'10"	21'5"	21'5"	22'3"	22'3"	19'3"
Wheel base	P	mm	3,200	3,200	2,850	3,200	3,200	3,200	3,200	2,850	3,200	3,200	3,200	3,200	2,850
		ft in	10'6"	10'6"	9'4"	10'6"	10'6"	10'6"	10'6"	9'4"	10'6"	10'6"	10'6"	10'6"	9'4"
Width at tires	Q	mm	2,750	2,840	2,290	2,750	2,840	2,750	2,840	2,290	2,750	2,840	2,750	2,840	2,290
		ft in	9'2"	9'4"	7'6"	9'2"	9'4"	9'2"	9'4"	7'6"	9'2"	9'4"	9'2"	9'4"	7'6"
Tread		mm	2,150	2,240	1,840	2,150	2,240	2,150	2,240	1,840	2,150	2,240	2,150	2,240	1,840
		ft in	7'1"	7'4"	6'	7'1"	7'4"	7'1"	7'4"	6'	7'1"	7'4"	7'1"	7'4"	6'
Ground clearance	R	mm	420	450	340	420	450	420	450	340	420	450	420	450	340
		ft in	1'5"	1'5"	1'1"	1'5"	1'5"	1'5"	1'5"	1'1"	1'5"	1'5"	1'5"	1'5"	1'1"
Overall length	S	mm	8,260	8,080	6,900	8,260	8,080	8,287	8,130	6,940	8,120	8,120	8,625	8,360	7,060
		ft in	27'1"	26'6"	22'7"	27'1"	26'6"	27'2"	26'8"	22'9"	26'7"	26'7"	28'4"	27'5"	23'2"
Overall height		mm	3,450	3,470	3,280	3,450	3,470	3,450	3,470	3,280	3,450	3,470	3,450	3,470	3,280
		ft in	11'4"	11'4"	10'9"	11'4"	11'4"	11'4"	11'4"	10'9"	11'4"	11'4"	11'4"	11'4"	10'9"

1) Measured to the tip of the bucket teeth or bolt-on edge.

2) SD300E/ SD300: All measurements with tyres 23.5-25-16PR(L3)

3) SD200: All measurements with tyres 17.5-25-12PR



Optional Equipments

Classification		SD300E	SD300	SD200	Remarks
Bucket	1.7m ³ – General Purpose	X	X	■	
	2.2m ³ – Light material	X	X	●	
	2.7m ³ – General Purpose	●	●	X	
	3.0m ³ – General Purpose	■	■	X	
	2.9m ³ – Cutting Edge	●	●	X	
	3.2m ³ – Cutting Edge	●	●	X	
	2.7m ³ – Rock Version	●	●	X	
	4.0m ³ – Light Material	●	●	X	
Work lever	Mono lever	■	■	■	
	Two lever	●	●	●	
Tire (Tube type)	Xulun	X	X	■	17.5-25-12PR
	Xulun	■	■	X	23.5-25-16PR
	Feng Shen	●	●	X	For Desert, 23.5-35-16PR
	Triangle	●	●	X	23.5-25-16PR
Tire (Tubeless type)	Xulun	●	●	X	23.5-25-16PR
	Triangle	●	●	X	23.5-25-16PR
	Triangle, Radial	●	●	X	23.5R25
Front	Standard	■	■	■	
	High Lift (Long Boom)	●	●	●	Equipped with 2.7m ³ bucket on a 5 ton long boom 3.0m ³ / 4.0m ³ bucket available only for the coal digging bucket.(For SD300E/ SD300)
T/M	LZ ZF - F ₄ / R ₃	■	X	X	
	DISD – F ₂ / R ₁	●	X	X	
	Hangchi	X	■	X	
	Jingyi	X	X	■	
Cooling	STD	■	■	■	
	Tropical Specification	●	X	X	
Cabin	General grass	■	■	■	
	Tinted Glass	●	●	●	

* STANDARD : ■ / OPTION : ● / NONE : X

