

PowerROC T35

Surface drill rig for construction and quarrying

Hole diameter: 64–115 mm (2½"–4½")





Power and performance

Epiroc's PowerROC rigs truly live up to their names with enough muscles for tough conditions.

PowerROC T35 is developed and designed for the demanding applications of construction operations, aggregate and limestone quarries. The PowerROC T35 with high penetration rate delivers the performance and power you need.

Meanwhile, the COP Logic system in combination with the COP rock drills with damper system ensures low fuel consumption as well as high hole quality.

⊕ Main benefits

Easy to operate and maintain due to straightforward design and ergonomic cabin

Straight holes and long drill steel life by using COP Logic system

High penetration rate due to COP rock drills

Highly available

With a PowerROC you are ready to work when you need. These rigs are sturdy workhorses that are prepared for productivity day in and day out. Thanks to the high degree of commonality with other Epiroc products and easy accessibility, you will get fast service and high uptime.



+ Save money with a powerful performer

With high availability and low fuel consumption, optimal use of impact force and overall ease-of-use, Epiroc's PowerROC rigs deliver a low Total Cost of Ownership (TCO). That means a fast return on investment and a healthy bottom line for your company. Not only that, because the machines are easy to use, positioning goes quick, so you're up and running as expected.

+ High quality blast holes

The better the hole, the better the blast. Our COP Logic system adjusts to achieve the best drilling performance in real time with robust hydraulics and low number of moving parts. Whatever the rock condition is, you can be sure the PowerROC rigs will get you high penetration rate by reducing consumables cost. Epiroc's COP Logic – in combination with the COP rock drills, with damper system – provides extremely good contact of the bit to the rock, for an optimal transfer of impact power.

+ A streamlined and powerful workhorse

PowerROC rigs are designed in a straightforward way. They come ready to work when you need. Good ergonomics, high visibility and ease-of-use mean high operator efficiency. The PowerROC T35 are sturdy workhorses, streamlined for efficiency and productivity day in and day out.

A comprehensive service offering

Even the best equipment needs to be serviced regularly to make sure it sustains peak performance. An Epiroc service solution offers peace of mind, maximizing availability and performance throughout the lifetime of your equipment. We focus on safety, productivity and reliability.

By combining genuine parts and an Epiroc service from our certified technicians, we safeguard your productivity – wherever you are.

Technical specifications

Main components

- Track frames with triple grouser pads, hydraulic track oscillation and three speed traction
- Tier 4 (Stage IIIB) diesel engine/Tier 3 (Stage IIIA) diesel engine, Cummins QSB6.7 150kW/Cummins QSB6.7 142 kW
- Screw type air compressor
- Operator's cabin, ROPS and FOPS certified

- Standard/extendable boom system
- Cylinder driven aluminium feed system
- Carousel type rod handling system
- Hydraulic rock drill
- Dust collection system

Engine

Cummins turbo charged, diesel engine QSB 6.7, Tier 3/stage IIIA	Metric	US
Power rating at 2 300 rpm	142 kW	190 hp
Cummins turbo charged, diesel engine QSB 6.7, Tier 4/stage IIIB	Metric	US
Power rating at 2 300 rpm	150 kW	201 hp

Compressor

Screw type air compressor	Metric	US
Working pressure, max	9.7 bar	140 psi
FAD, at normal working pressure	130 l/s	276 cfm

Boom

Standard boom for front face toe hole and extendable boom for vertical with wide coverage area are available	Metric	US
Boom extension	800 mm	140 psi
Boom lift angle	50° (above)	25° (below)
Boom swing angle	55° (right)	10° (left)

Electrical system

Voltage	24 V
Batteries	2 x 12 V, 120 Ah
Alternator	24 V, 70 A
Work lights, front	2 x 70 W
Work lights, rear	1 x 70 W
Reverse alarm	

Hydraulic rock drill

Rock drill	Impact power	Hydraulic pressure	Impact rate	Max torque	Weight approx
COP SC19	19 kW (25.5 hp)	220 bar (3 190 psi)	49 Hz	700 Nm (516 lbf-ft)	174 kg (384 lb)
COP SC19X				*980 Nm (723 lbf-ft)	226 kg (498 lb)

* With 09 high torque rotation motor

Hole range (recommended)

Type of drilling	Drill steel type	Drilling diameter	Max hole depth	Drill steel length
Single pass	T38, T45, T51	64-115 mm (2½-4½")	3.66 m (12')	4 270 mm (14')
Extension drilling (Standard boom and extendable boom)	T38, T45		25 m (82')	4 270 mm (14') x 1 3 660 mm (12') x 6
	T51		18 m (59')	4 270 mm (14') x 1 3 660 mm (12') x 4

Hydraulic system

Hydraulic oil cooler	Metric	US
Max ambient temperature	50°C	122°F

Volumes

Hydraulic oil tank	200 l	53 US gal
Hydraulic system, total	280 l	74 US gal
Compressor oil	27 l	6.6 US gal
Diesel engine oil	25 l	6.1 US gal
Diesel engine, cooling water	33 l	8.7 US gal
Diesel engine, fuel tank	380 l	100 US gal

Dust collector

	Metric	US
Filter area	18.4 m²	198 sq.ft
Number of filter elements	8 pcs	8 pcs
Cleaning air pressure, max	4.0 bar	58 psi
Cleaning air volume	17-34 l/pulse	170N L/min

Feed

Hydraulic cylinder driven feed with hose guide with drill steel centralizer and movable dust hood	Metric	US
Feed extension	1 500 mm	59'
Feed rate, max	0.85 m/s	167 ft/min
Feed force, max	19.6 kN	4 406 lbf
Tractive pull, max	19.6 kN	4 406 lbf
Total length	7 770 mm	306'
Travel length	4 420 mm	174'

Technical specifications

Hydraulic cylinder feed system employs rigid aluminium feed beam with precise feed force, for longer drill steel life.

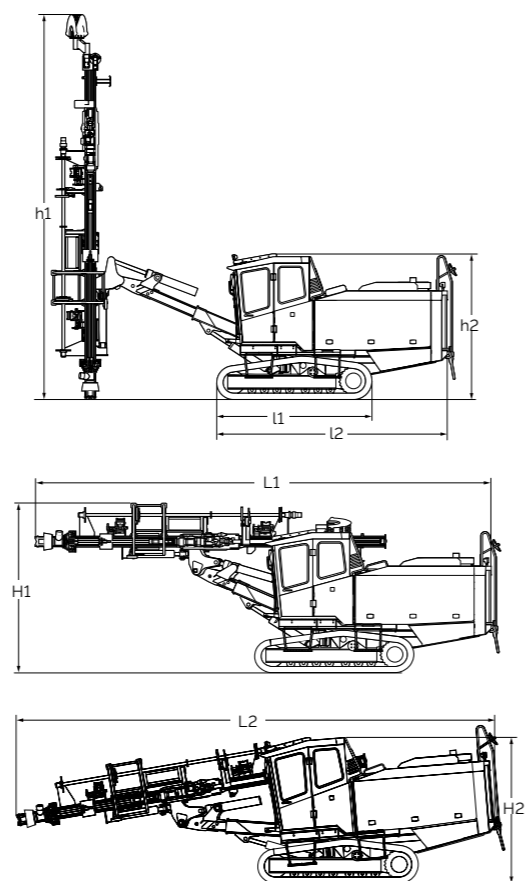
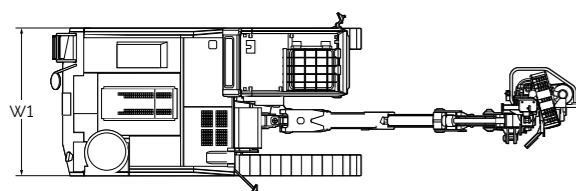
COP SC16 or SC19 rock drill, with the hydraulic based COP Logic control system, performs well in any conditions.



Cabin is ROPS- and FOPS-certified, and is equipped with hydraulic pilot control joysticks.

Transport dimensions

	Metric		US		
Feed height	7 770 mm		306'		
Feed dumped 1	Standard	Extendable	Standard	Extendable	
	Height (H1)	3 300 mm	3 500 mm	130'	138'
Length (L1)	9 100 mm		359'		
Width (W1)	2 360 mm		93'		
Feed dumped 2	Standard	Extendable	Standard	Extendable	
	Height (H2)	2 900 mm	2 900 mm	115'	115'
Length (L2)	9 100 mm		359'		
Width (W1)	2 360 mm		93'		
Track	l1	2 890 mm	3 160 mm	114'	125'
	l2	4 440 mm	4 700 mm	175'	185'
Weight	Tier 3/Stage IIIA	12 100 kg	12 500 kg	26 680 lb	27 560 lb
	Tier 4/Stage IIIB		13 500 kg		29 770 lb



Selection of options

Carrier

- Track chains with single grouser pads
- Super rotation system

Safety cabin

- Warning light – BEACON type
- Media receiver (Radio included for Japan only)
- Driving mirror (L/R)
- LED light kit
- Rear view camera

Hole measuring systems

- 2D angle indicator
- 3D angle indicator with speed and depth

Lube oil, lube system and water mist system

- Water mist system (150 litres water tank)

CE requirement

- Protection of rotation parts

Feed

- Extractor on rock drill
- RHS for T38 SPEEDROD
- RHS for T38 with 55 mm coupling
- RHS for T45 SPEEDROD
- RHS for T45 with 63 mm coupling
- RHS for T45 with 66 mm coupling
- RHS for T51 SPEEDROD
- RHS for T51 with 72 mm coupling

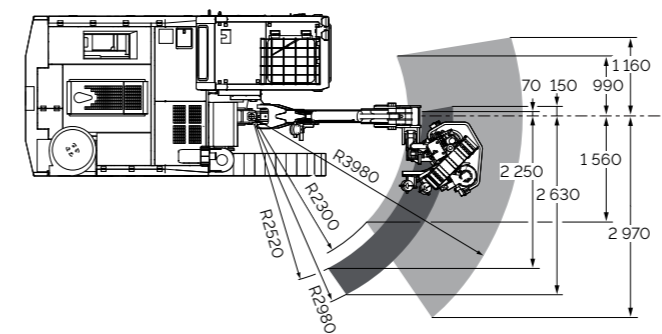
Dust control

- Dust pre-separator

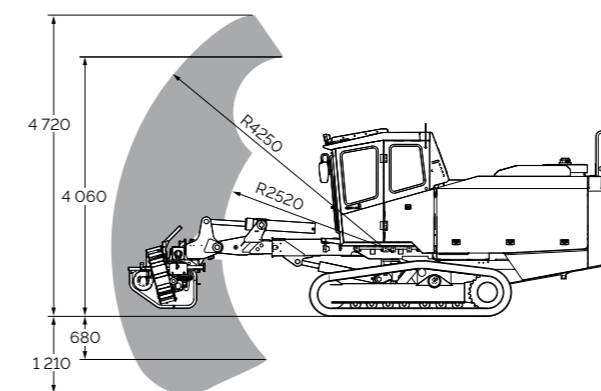
Delivered equipment, not mounted

- Gas charging equipment for rock drill
- Hydraulic pressure test kit
- Hydraulic oil filling hand pump kit
- Fuel filter upgrade kit

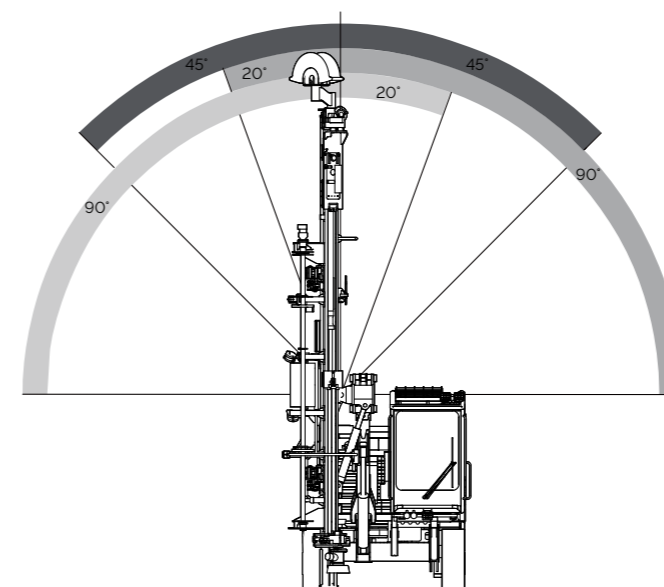
Technical specifications



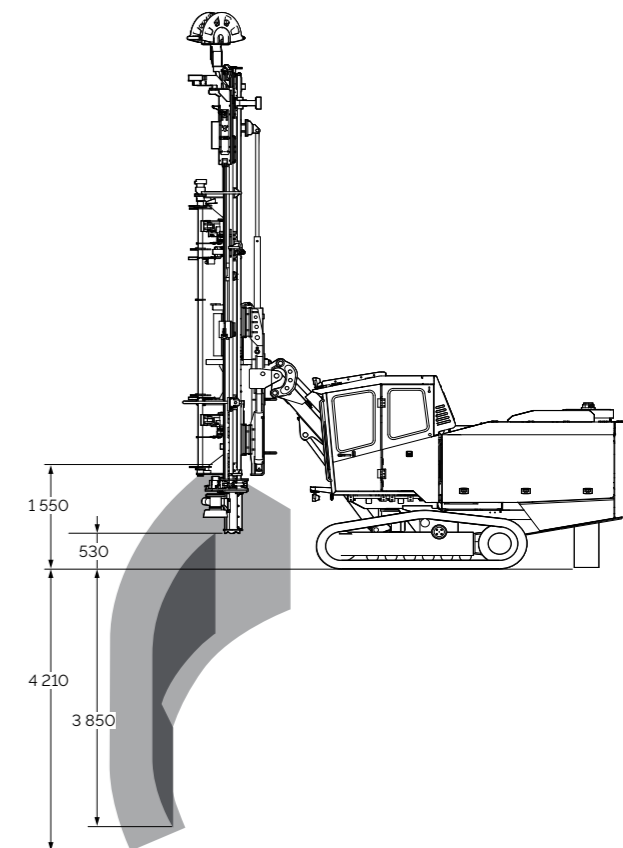
Horizontal reach (mm)



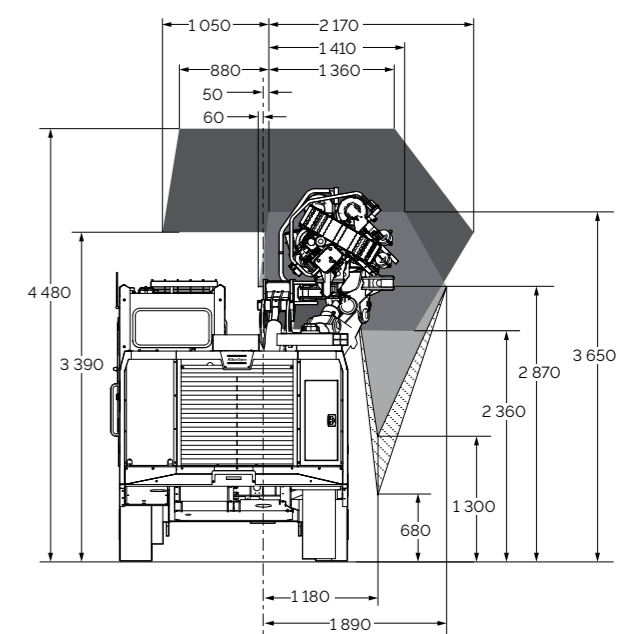
Toe hole drilling with re-pinning (mm)



Feed swing angles



Vertical reach (mm)



Rear view (mm)

United in performance. Inspired by innovation.

Performance unites us, innovation inspires us, and commitment drives us to keep moving forward. Count on Epiroc to deliver the solutions you need to succeed today and the technology to lead tomorrow.
epiroc.com

