



Engine	Chongqing Cummins
Gross Power	257 kW (345 hp / 350 ps) @ 2,000 rpm
Net Power	235 kW (315 hp / 320 ps) @ 2,000 rpm
Maximum Torque	1,509 N · m
Blade Capacity	10.4 m ³
Operating Weight	34,015 kg

B320 BULLDOZER

TOUGH WORLD. TOUGH EQUIPMENT.

B320 SPECIFICATIONS >>>

ENGINE	
Emission Regulation	Tier 2 / Stage II
Make	Chongqing Cummins
Model	NT855C360S20
Gross Power	257 kW (345 hp / 350 ps) @ 2,000 rpm
Net Power	235 kW (315 hp / 320 ps) @ 2,000 rpm
Peak Torque	1,509 N · m @ 2,000 rpm
Number of Cylinders	6
Aspiration	Turbo air-to-air aftercooled
Displacement	14 L

TRANSMISSION	
Transmission Type	Powershift
Maximum Travel Speed, fwd	11.8 km/h
Maximum Travel Speed, rev	13.7 km/h
Number of Speeds, fwd	3
Number of Speeds, rev	3

ELECTRICAL SYSTEM	
System Voltage	24 V

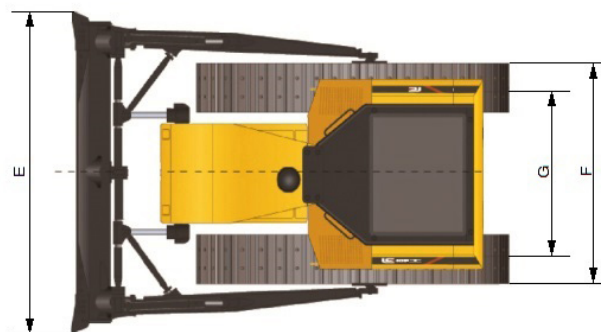
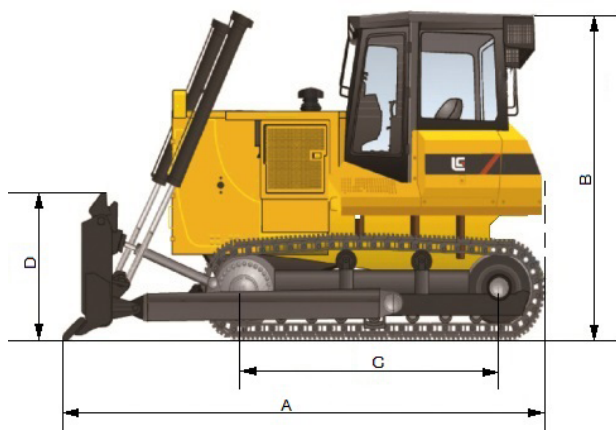
UNDERCARRIAGE	
Shoe Width	560 mm
Number of Shoes per Side	41
Number of Upper Rollers per Side	2
Number of Bottom Rollers per Side	7
Shoe Ground Pressure	94 kPa
Track on Ground	3,150 mm

DIMENSIONS	
A Overall Length	6,590 mm
B Height to Top of Cab	3,910 mm
C Track Length on Ground	3,150 mm
D Blade Height	1,530 mm
E Blade Width	4,130 mm
F Width over Track	2,700 mm
G Track Gauge	2,140 mm

OPERATING WEIGHTS (WITH SINGLE SHANK RIPPER)	
Operating Weight	34,015 kg

BLADE PERFORMANCE	
Blade Type (referenced)	Straight
Blade Capacity (referenced)	10.4 m ³
Blade Depth below Ground	560 mm
Blade Lift above Ground	1,380 mm
Blade Tilt	1,000 mm

SERVICE CAPACITIES	
Fuel Tank	600 L
Engine Oil	47 L
Cooling System	85 L
Hydraulic System Total	340 L
Transmission and Torque Converter	185 L
Final Drives, each	110 L



Guangxi Liugong Machinery Co., Ltd.

No. 1 Liutai Road, Liuzhou, Guangxi 545007, PR China
 T: +86 772 3886124 E: overseas@liugong.com
 www.liugong.com

Specifications and designs are subject to change without notice. Machines shown may include optional equipment. Liugong standard and optional equipment may vary from region to region. Please consult your Liugong dealer for information specific to your area. Engine power kW is converted to horsepower (1 kW=1.3596 ps and 1 kW=1.3410 hp) in this file.

07/2020 Designed by LiuGong
 Replace the previous versions of 12/2019