



Engine	Shangchai SC4H140.2G2
Rated Power	103 kW (138 hp / 140 ps) @ 2,000 rpm
Nominal Amplitude Range	2.0 / 1.2 mm
Vibration Frequency Range	30 Hz
Centrifugal Force Range	280 / 170 kN
Working Width	2,130 mm
Operating Mass	14,000 kg

6114E ROLLER

6114E SPECIFICATIONS >>>

ENGINE

Emission Regulation	Tier 2 / Stage II
Manufacturer	Shangchai
Model	SC4H140.2G2
Rated Power	103 kW (138 hp / 140 ps) @ 2,000 rpm
Peak Torque	535 N · m
Number of Cylinders	4
Aspiration	Turbocharged
Cooling Type	Water

ELECTRICAL SYSTEM

System Voltage	24 V
----------------	------

DRIVE TRAIN

Theoretical Gradeability	30 %
Transmission Type	Mechanical
1st Maximum Speed, Fwd	2.7 km/h
2nd Maximum Speed, Fwd	5.2 km/h
3rd Maximum Speed, Fwd	11 km/h
Min. Outside Turning Radius	6,500 mm

STEERING

Steering System	Hydraulic
Steering Method	Articulation
Steering Angle	± 35°
Steering Relief Pressure	16 MPa

BRAKES

Service Brake Type	Caliper dry disc
Service Brake Actuation	Air over hydraulic
Parking Brake Actuation	Mechanical brake

OPTIONAL EQUIPMENT

Padfoot Drum Segment Kit (PDH)

TIRES

Tire Size	17.5-25-12PR
Tire Pressure	300-330 kPa

HYDRAULIC SYSTEM

Main Pump Type	Gear Pump
Main Relief Pressure	20 MPa

PERFORMANCE

Static Linear Front Drum Load	329 N/cm
Number of Vibrating Drums	1
Nominal Amplitude Range	2.0 / 1.1 mm
Vibration Frequency Range	30 Hz
Centrifugal Force Range	280 / 170 kN
Number of Amplitude Settings	2

OPERATING MASS

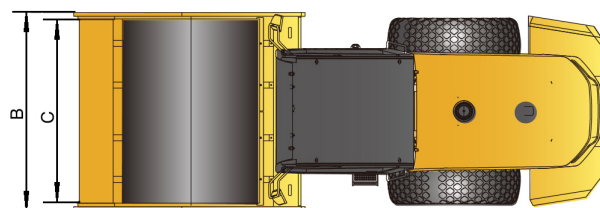
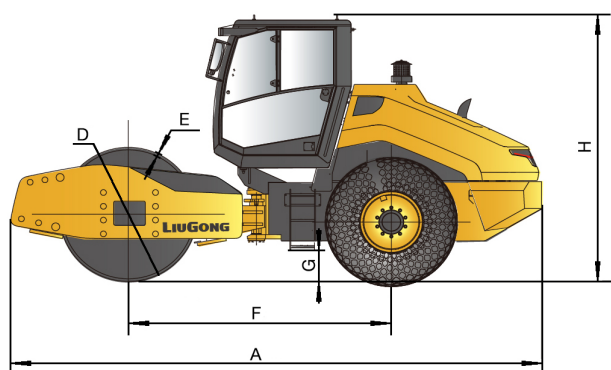
Operating Mass with Ballast	14,000 kg
Mass on Vibrating Drum	7,000 kg
Mass on Drive Axle	7,000 kg

SERVICE CAPACITIES

Fuel Tank	200 L
Engine Oil	14 L
Hydraulic Oil Tank	110 L
Cooling System	32 L

DIMENSIONS

A Overall Length	6,000 mm
B Overall Width	2,280 mm
C Drum Width	2,130 mm
D Drum Diameter	1,555 mm
E Drum Thickness	30 mm
F Wheelbase	2,950 mm
G Min. Ground Clearance	450 mm
H Overall Height	3,050 mm



Guangxi Liugong Machinery Co., Ltd.

No. 1 Liutai Road, Liuzhou, Guangxi 545007, PR China
T: +86 772 3886124 E: overseas@liugong.com
www.liugong.com

Specifications and designs are subject to change without notice. Machines shown may include optional equipment. Liugong standard and optional equipment may vary from region to region. Please consult your Liugong dealer for information specific to your area. Engine power kW is converted to horsepower (1 kW=1.3596 ps and 1 kW=1.3410 hp) in this file.

04/2020 Designed by LiuGong
Replace the previous versions of 08/2019