

REDLINE SOIL ROLLER



DRS120D

Technical Data

Masses

Operating mass (incl. Canopy)	11400 kg
Max. operating mass incl. pad shells	12800 kg
Module mass (front/rear)	6800 kg/4600 kg
Module mass with Pad shells (front/rear)	8200 kg/4600 kg

Dimensions

Drum width	2130 mm
Drum diameter	1500 mm

Compaction

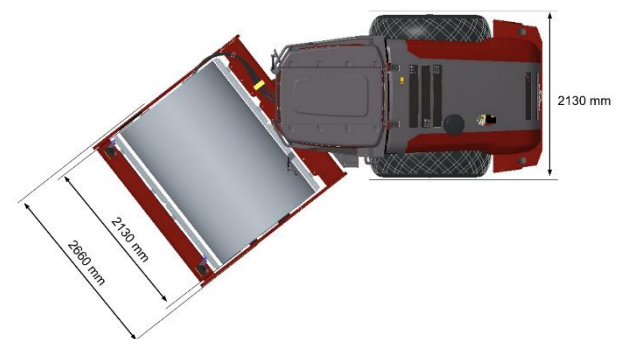
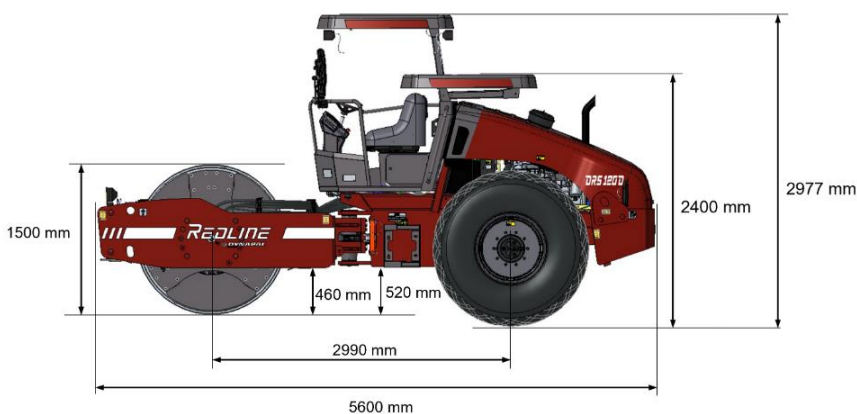
Static linear load	32 kg/cm
Nominal amplitude (high/low)	1.8 mm/0.9 mm
Vibration frequency (high/low amplitude)	33 Hz/33 Hz
Centrifugal force (high/low amplitude)	250 kN/130 kN

Engine

Manufacturer/Model	Dynapac
Type	4 cyl, water cooled
Rated power	105 hp @ 2200 rpm
Electrical system	12V
Fuel tank capacity	280l

Traction

Speed range	0 - 8 km/h
Theoretical max. gradeability	53 %
Steering angle	+/- 38°



We reserve right to change specifications without notice. Photos and illustrations do not always show standard versions of machines.

The above information is a general description only, all information are supplied without liability.